

## Batt-Oper Drill - 0 601 932 061 - GBM 7,2 V-1

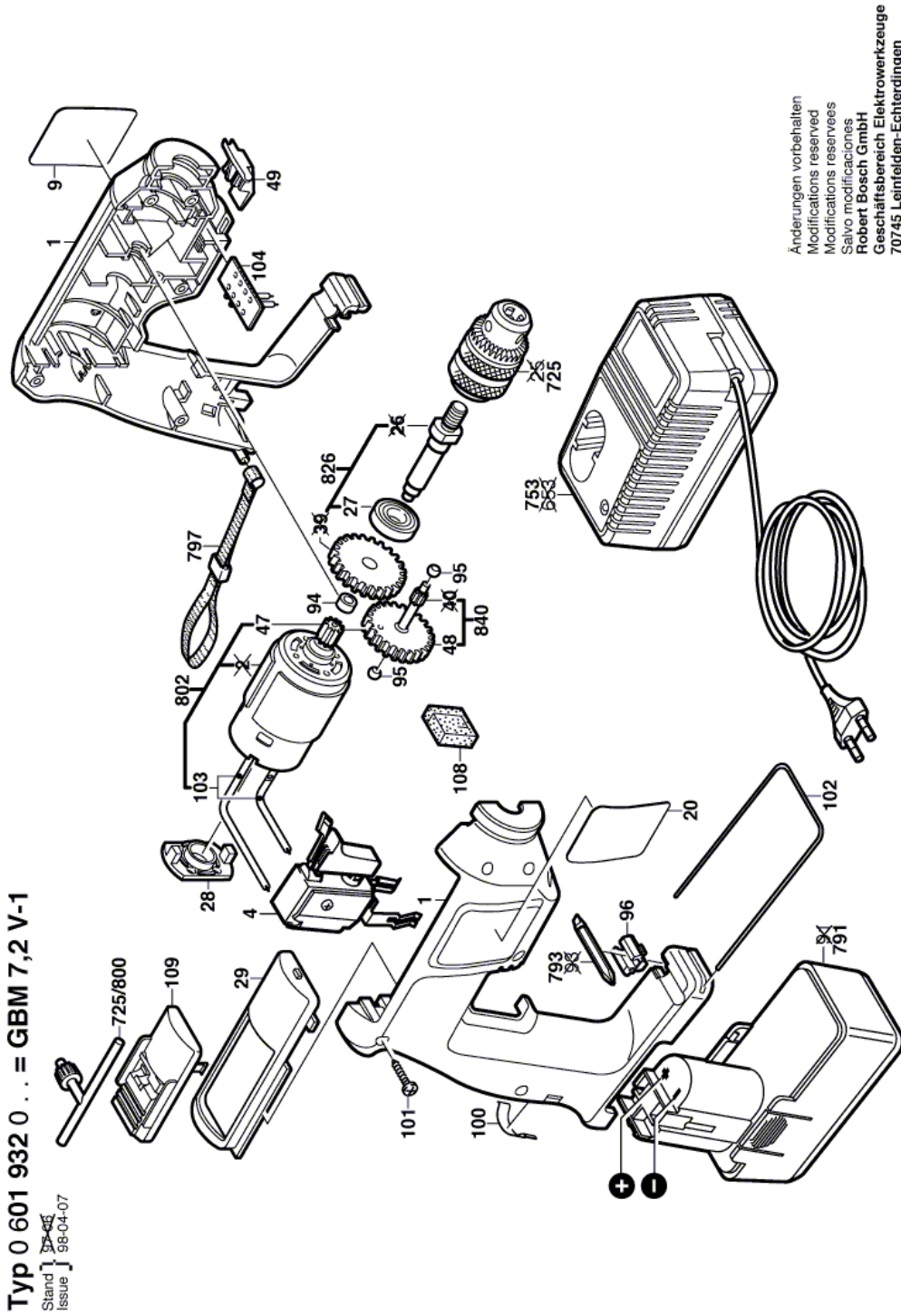
www.powertools-aftersaleservice.com



**BOSCH**

Item	Part Number	Description	Illustration	Price	Quantity	Price Group
	1 2 605 104 402	Handle Cover BLUE		1	-,-	1 27
	4 2 607 200 317	On-Off Switch		1	-,-	1 31
	9 2 601 118 390	Manufacturer's nameplate SUNNY SIDE		1	-,-	1 13
	20 2 601 118 391	Reference Plate SHADOW SIDE		1	-,-	1 13
	27 1 900 905 120	Deep-Groove Ball Bearing 10x26x8		1	-,-	1 22
	28 2 605 719 007	Adapter Insert BLACK		1	-,-	1 11
	29 2 605 510 115	Insert Piece BLACK		1	-,-	1 18
	47 2 606 316 120	Pinion Z=14		1	-,-	1 20
	48 2 606 316 119	Cylindrical Gear Z=63		1	-,-	1 22
	49 2 605 510 117	Insert Piece BLACK		1	-,-	1 11
	94 2 600 301 011	Sintered-Metal Bushing		1	-,-	1 11
	95 2 600 302 002	Sintered-Metal Bushing		1	-,-	2 11
	96 2 608 040 131	Support		1	-,-	1 12
	100 2 601 322 016	Clamp Spring		1	-,-	1 14
	101 2 603 490 022	Torx Oval-Head Screw 4x16		1	-,-	5 10
	102 2 601 329 041	Retaining Bracket		1	-,-	1 11
	103 2 604 413 004	Cable L=79 MM WHITE		1	-,-	2 11
	104 2 608 018 004	Contact retainer		1	-,-	1 16
	108 2 602 180 001	Support		1	-,-	1 11
	109 2 608 040 078	Toolholder		1	-,-	1 14
	725 2 608 571 032	Key Chuck Ø 1-10 MM,3/8"		1	-,-	1 -
725/800	1 607 950 055	Chuck Wrench SG1, 80 MM		1	-,-	1 -
	753 2 607 224 431	Fast Charger USA 120/7,2-24V, 1h		1	-,-	1 48
	753 2 607 224 708	Fast Charger USA 120/7,2-14,4V, 30 MIN.		1	-,-	1 -
	791 2 607 336 141	Slide-In Accu Package 7,2V,1,5Ah,NiCd		1	-,-	1 40
	793 2 608 521 018	Screwdriver Blade		1	-,-	1 18
	797 2 601 398 009	Carrying Loop		1	-,-	1 -
	802 2 607 022 917	DC motor 7,2V		1	-,-	1 31
	826 2 606 135 918	Drilling Spindle 3/8"		1	-,-	1 28
	840 2 606 308 916	Intmd. Transmission Hsg Z= 12/63		1	-,-	1 28
	899 0 601 932 070	Batt-Oper Drill BATTERY WITHOUT CHARGER		N/A	-,-	1 -

Illustration - Type E



Typ 0 601 932 0 . . . = GBM 7,2 V-1

Stand 1 98-04-07  
Issue 1 98-04-07

Anderungen vorbehalten  
Modifications reserved  
Modificaciones reservadas  
Salvo modificaciones  
Robert Bosch GmbH  
Geschäftsbereich Elektrowerkzeuge  
70745 Leinfelden-Echterdingen

Information subject to change without further notice.